

SANHUA FDF2AK (NO) SERIES



Solenoid Valve

FDF2AK series solenoid valves are direct operated, normally open solenoid valves, mainly used in refrigerant control of various devices such as refrigerating and freezing systems, air conditioners and heat pumps.



FEATURES

- COMPACT DESIGN
- LOW ENERGY CONSUMPTION
- EXCELLENT OPERATION PERFORMANCE

GENERAL SPECIFICATIONS

- Applicable for all common HCFC and HFC refrigerants such as: R22, R134a, R404A, R407C, R410A, R507A ...
- Medium temperature TS min./max.: -30°C / 120°C
- Ambient temperature: -30°C / +50°C
- Relative humidity: 0 to 95% RH
- Installation position:
 - Liquid, suction and discharge line
 - Coil upwards, coil axis $\pm 15^\circ$ tolerance versus vertical axis
 - Flow direction corresponds to the arrow
- Declaration according to LVD or PED

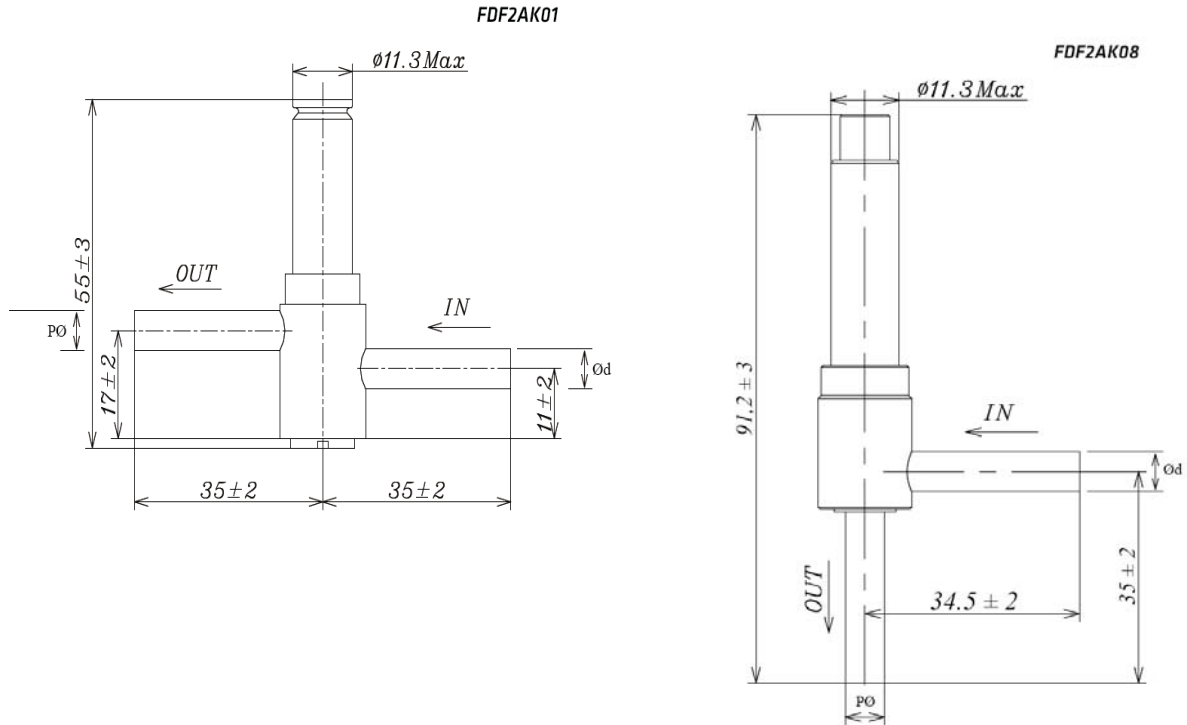
TECHNICAL PARAMETERS OF VALVE BODY

Valve Body Model	Part Number	Normal Position	Actuation	Ø Seat [mm]	Kv [m ³ /h]	MOP [MPa]	Max. OPD [MPa]	Min. OPD [MPa]	Connection OD Ød	
									[mm]	[inch]
FDF 2AK 01	FDF-06009	NO	Direct	1,8	0,05	4,5	1,5	0	6,35	1/4
FDF 2AK 08	FDF-06010			±0,1						



SANHUA FDF2AK (NO) SERIES Solenoid Valve

DIMENSIONS - VALVE BODY



TECHNICAL PARAMETERS OF COIL

Coil Model	Part Number	Rated Voltage [V]	Supply	Power ³⁾ [W]	Used for	Freq. [Hz]	Voltage Tolerance	Insulation Class	Wiring type
FQ-A05024-000709	FQA-55001	24	AC	5 (50Hz) 4,5 (60Hz)	FDF 2AK 01 ¹⁾	50/60	-15% +10%	B	flying leads
FQ-A05120-001098	FQA-55002	110 to 120		5 (50Hz) 4,5 (60Hz)					
FQA-0522G-001044	FQA-55003	220 to 240		5 (50Hz) 4,5 (60Hz)					
FQA-0522G-001066	FQA-55007	220 to 240		6,5 (50Hz) 5 (60Hz)	FDF 2AK 08 ²⁾				

Note:

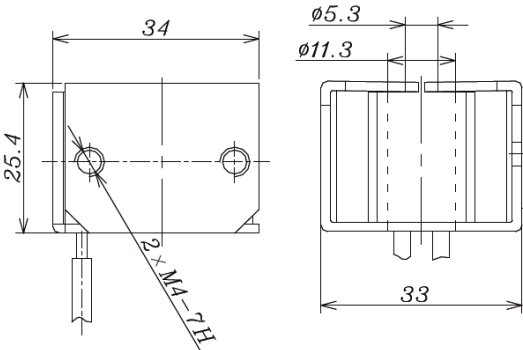
- 1) Dimensions: drawing 1
- 2) Dimensions: drawing 2
- 3) Power consumption based on 220V



SANHUA FDF2AK (NO) SERIES Solenoid Valve

DIMENSIONS - COIL

Drawing 1: FQA-55001, -55002, -55003



Drawing 2: FQA-55007

