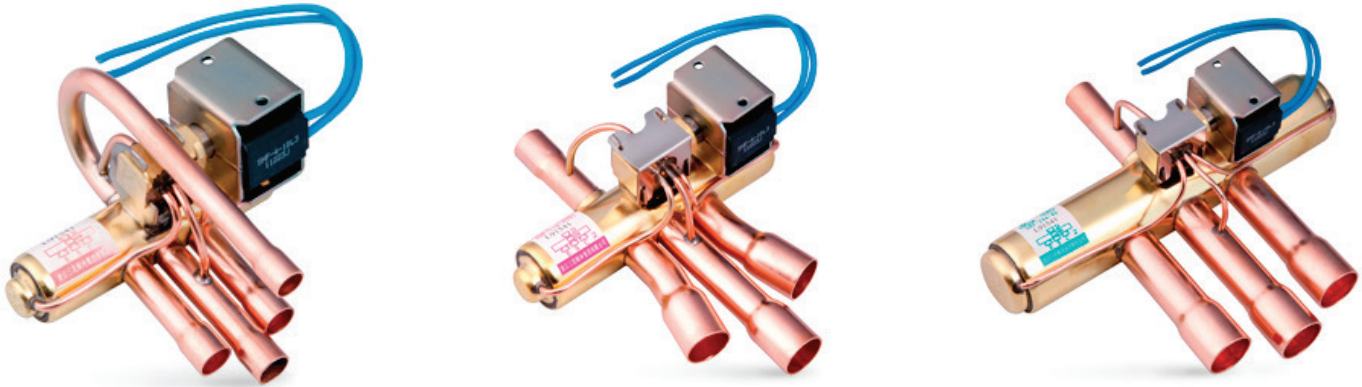


SHF SERIES | 4 Way Reversing Valve



SHF series four-way reversing valves are applicable for heat pump systems such as central, unitary and room air conditioners to realize switching between cooling mode and heating mode by changing the flow path of refrigerant.

FEATURES

- WIDE APPLICATION RANGE
- SUITABLE FOR COOLING CAPACITIES FROM 1 TO 120 TONS, R-410A
- SEVERAL DESIGNS AVAILABLE

GENERAL SPECIFICATION

- Applicable for all common HCFC and HFC refrigerants such as: R-22, R-134a, R-404A, R-407C, R-410A, R-507
- Applicable ambient temperatures: -22°F to +275°F* (maximum for SHF-50-911-D2 is +250°F)
- Fluid temperature range: -22°F to +122°F/175°F (Depending upon coil used)
- Relative Humidity: 0 to 95% RH
- Maximum operating pressure: 650 psig
- Installation Position:
 - Coil upwards or with body axis in horizontal alignment
 - Flow direction according to installation instruction
- Certifications: UL/CSA listed

SHF SERIES | 4 Way Reversing Valve

GENERAL CHARACTERISTICS

Valve Model	Ø Port	Cv	Connection ODF		MOP	OPD	
			ØD	ØE/S/C		Max.	Min.
	(mm)		(in)	(in)	(psig)	(psi)	(psi)
SHF(L)-3H-12U-51	7.4	1.7	1/4	5/16	650	580	35
SHF(L)-4H-23-01	8	1.8	5/16	3/8	650	580	35
SHF(L)-4H-23U-L1	8	1.8	5/16	3/8	650	580	35
SHF(L)-7H-34-L1	11.1	3.4	3/8	1/2	650	580	35
SHF(L)-7H-34U-L1	11.1	3.4	3/8	5/8	650	580	35
SHF(L)-7H-35-L1	11.1	3.4	3/8	5/8	650	580	35
SHF(L)-7H-35U-L1	11.1	3.4	3/8	5/8	650	580	44
SHF(L)-7H-45-L2	11.1	3.4	1/2	5/8	650	580	44
SHF(L)-9H-35U-L2	11.5	3.9	3/8	5/8	650	450	44
SHF(L)-9H-45-L1	11.5	3.9	1/2	5/8	650	450	44
SHF-9H-45D1	11.5	3.9	1/2	5/8	650	450	44
SHF(L)-11H-45D1-L1	11.5	5.2	1/2	5/8	650	580	44
SHF(L)-11H-46D1-L1	11.5	5.2	1/2	3/4	650	580	44
SHF-14-46	13.5	7.6	1/2	3/4	650	450	44
SHF-14A-46	13.5	7.6	1/2	3/4	650	580	44
SHF-14-47	13.5	7.6	1/2	7/8	650	450	44
SHF-14-56D1	13.5	7.6	5/8	3/4	650	450	44
SHF-14-57	13.5	7.6	5/8	7/8	650	450	44
SHF-14-57D1	13.5	7.6	5/8	7/8	650	450	44
SHF-20A-45-J	13.5	11	1/2	3/4 ODM	650	580	44
SHF-20A-46	17.2	11	1/2	3/4	650	580	44
SHF-20A-47	17.2	11.4	1/2	7/8	650	580	44
SHF-20A-56D1	17.2	11.4	5/8	3/4	650	580	44
SHF-20A-57	17.2	11.4	5/8	7/8	650	580	44
SHF-20A-57D1	17.2	11.4	5/8	7/8	650	580	44
SHF-20D-46-02	17.2	11	1/2	3/4	650	580	44
SHF-20D-47-02	17.2	11.4	1/2	7/8	650	580	44
SHF-20D-57-02	17.2	11.4	5/8	7/8	650	580	44
SHF-20D-67-03	17.2	11.4	3/4	7/8	650	580	44
SHF-35A-47	20	17	1/2	7/8	650	580	44
SHF-35A-49	20	17	1/2	11/8	650	580	44
SHF-35A-57	20	17	5/8	7/8	650	580	44
SHF-35A-59	20	17	5/8	1-1/8	650	580	44
SHF-35A-79	20	17	7/8	1-1/8	650	580	44
SHF-35A-711	20	17	7/8	1-3/8	650	580	44
SHF-35A-911	20	17	1-1/8	1-3/8	650	580	44

SHF SERIES | 4 Way Reversing Valve

GENERAL CHARACTERISTICS

Valve Model	Ø Port	Cv	Connection ODF		MOP	OPD	
			ØD	ØE/S/C		Max.	Min.
	(mm)		(in)	(in)	(psig)	(psi)	(psi)
SHF-35B-47-04	20	17	1/2	7/8	650	580	44
SHF-35B-79-04	20.9	17	7/8	11/8	650	580	44
SHF-50A-79	22.8	21.2	7/8	11/8	650	580	44
SHF-50-711	22.8	21.2	7/8	13/8	650	580	44
SHF-50-911D2	25.6	21.4	11/8	13/8	650	580	44
SHF(L)-70-810	28.6	32.9	1	11/4	650	580	44
SHF(L)-70-810-01	28.6	32.9	1	11/4	650	580	44
SHF(L)-70-911	28.6	32.9	11/8	13/8	650	580	44
SHF(L)-70-911-02	28.6	32.9	11/8	13/8	650	580	44
SHF(L)-70-913-03	28.6	32.9	11/8	15/8	650	580	44
SHF(L)-100-911	34.8	46.8	11/8	13/8	650	580	44
SHF(L)-100-911-01	34.8	46.8	11/8	13/8	650	580	44
SHF(L)-100-913-01	34.8	46.8	11/8	15/8	650	580	44
SHF(L)-100-1012	34.8	46.8	11/4	11/2	650	580	44
SHF(L)-100-1012-01	34.8	46.8	11/4	11/2	650	580	44
SHF(L)-100-1013-02	34.8	46.8	11/4	15/8	650	580	44
SHF(L)-140-1214	41	67.5	11/2	13/4	650	580	44
SHF(L)-175-1217	46.4	81.5	11/2	2 1/8	650	580	44
SHF(L)-210-1321	50	97.6	1 5/8	2 5/8	650	580	44
SHF(L)-350-1721	59	160	2 1/8	2 5/8	650	580	44
SHF(L)-420-2125	69	205	2 5/8	3 1/8	650	580	44

Nominal Operating Conditions

Nominal Operating Conditions	Condition 1	Condition 2
Condensing Temperature t_c	100°F	130°F
Evaporating Temperature t_o	41°F	45°F
Superheat Δt_{sh}	9°F	9°F
Subcooling Δt_{sc}	0°F	9°F

Notes for Capacity Selection Tables:

1. Pressure drop is valid for flow from ØC to ØS or from ØE to ØS
2. R407C data based on dew point conditions

SHF SERIES | 4 Way Reversing Valve

CAPACITY SELECTION TABLE CONDITION 1

Capacity Selection Table								
Valve Model	Nominal Cooling Capacity (condition 1)							
	R-407C ⁽²⁾		R-410A		R-134a		R-404A / R-507	
	ΔP : 1.0 psi	ΔP : 2.0 psi	ΔP : 1.5 psi	ΔP : 3.0 psi	ΔP : 1.0 psi	ΔP : 2.0 psi	ΔP : 1.0 psi	ΔP : 2.0 psi
	(tons)	(tons)	(tons)	(tons)	(tons)	(tons)	(tons)	(tons)
SHF(L)-3H-12U-51	0.79	1.11	1.18	1.67	0.62	0.87	0.67	0.95
SHF(L)-4H-23-01	0.84	1.19	1.26	1.78	0.66	0.93	0.72	1.02
SHF(L)-4H-23U-L1	0.84	1.19	1.26	1.78	0.66	0.93	0.72	1.02
SHF(L)-7H-34-L1	1.52	2.15	2.28	3.23	1.19	1.68	1.30	1.84
SHF(L)-7H-34U-L1	1.52	2.15	2.28	3.23	1.19	1.68	1.30	1.84
SHF(L)-7H-35-L1	1.52	2.15	2.28	3.23	1.19	1.68	1.30	1.84
SHF(L)-7H-35U-L1	1.52	2.15	2.28	3.23	1.19	1.68	1.30	1.84
SHF(L)-7H-45-L2	1.52	2.15	2.28	3.23	1.19	1.68	1.30	1.84
SHF(L)-9H-35U-L2	2.05	2.90	3.07	4.34	1.60	2.26	1.75	2.48
SHF(L)-9H-45-L1	2.05	2.90	3.07	4.34	1.60	2.26	1.75	2.48
SHF-9H-45D1	2.05	2.90	3.07	4.34	1.60	2.26	1.75	2.48
SHF(L)-11H-45D1-L1	2.36	3.34	3.54	5.01	1.85	2.61	2.02	2.86
SHF(L)-11H-46D1-L1	2.36	3.34	3.54	5.01	1.85	2.61	2.02	2.86
SHF-14-46	3.47	4.90	5.19	7.34	2.71	3.83	2.97	4.19
SHF-14A-46	3.47	4.90	5.19	7.34	2.71	3.83	2.97	4.19
SHF-14-47	3.47	4.90	5.19	7.34	2.71	3.83	2.97	4.19
SHF-14-56D1	3.47	4.90	5.19	7.34	2.71	3.83	2.97	4.19
SHF-14-57	3.47	4.90	5.19	7.34	2.71	3.83	2.97	4.19
SHF-14-57D1	3.47	4.90	5.19	7.34	2.71	3.83	2.97	4.19
SHF-20A-45-J	4.99	7.06	7.47	10.6	3.90	5.51	4.27	6.04
SHF-20A-46	4.99	7.06	7.47	10.6	3.90	5.51	4.27	6.04
SHF-20A-47	5.20	7.35	7.79	11.0	4.06	5.74	4.45	6.29
SHF-20A-56D1	5.20	7.35	7.79	11.0	4.06	5.74	4.45	6.29
SHF-20A-57	5.20	7.35	7.79	11.0	4.06	5.74	4.45	6.29
SHF-20A-57D1	5.20	7.35	7.79	11.0	4.06	5.74	4.45	6.29
SHF-20D-46-02	4.99	7.06	7.47	10.6	3.90	5.51	4.27	6.04
SHF-20D-47-02	5.20	7.35	7.79	11.0	4.06	5.74	4.45	6.29
SHF-20D-57-02	5.20	7.35	7.79	11.0	4.06	5.74	4.45	6.29
SHF-20D-67-03	5.20	7.35	7.79	11.0	4.06	5.74	4.45	6.29
SHF-35A-47	7.72	10.9	11.6	16.4	6.03	8.53	6.61	9.34
SHF-35A-49	7.72	10.9	11.6	16.4	6.03	8.53	6.61	9.34
SHF-35A-57	7.72	10.9	11.6	16.4	6.03	8.53	6.61	9.34
SHF-35A-59	7.72	10.9	11.6	16.4	6.03	8.53	6.61	9.34
SHF-35A-79	7.72	10.9	11.6	16.4	6.03	8.53	6.61	9.34
SHF-35A-711	7.72	10.9	11.6	16.4	6.03	8.53	6.61	9.34
SHF-35A-911	7.72	10.9	11.6	16.4	6.03	8.53	6.61	9.34
SHF-35B-47-04	7.72	10.9	11.6	16.4	6.03	8.53	6.61	9.34

SHF SERIES | 4 Way Reversing Valve

CAPACITY SELECTION TABLE CONDITION 1 *Continued*

Capacity Selection Table								
Valve Model	Nominal Cooling Capacity (condition 1)							
	R-407C ²⁾		R-410A		R-134a		R-404A / R-507	
	ΔP: 1.0 psi	ΔP: 2.0 psi	ΔP: 1.5 psi	ΔP: 3.0 psi	ΔP: 1.0 psi	ΔP: 2.0 psi	ΔP: 1.0 psi	ΔP: 2.0 psi
	(tons)	(tons)	(tons)	(tons)	(tons)	(tons)	(tons)	(tons)
SHF-35B-79-04	7.72	10.9	11.6	16.4	6.03	8.53	6.61	9.34
SHF-50A-79	9.61	13.6	14.4	20.4	7.51	10.6	8.22	11.6
SHF-50-711	9.61	13.6	14.4	20.4	7.51	10.6	8.22	11.6
SHF-50-911D2	9.72	13.7	14.6	20.6	7.59	10.7	8.31	11.8
SHF(L)-70-810	15.0	21.2	22.4	31.7	11.7	16.5	12.8	18.1
SHF(L)-70-810-01	15.0	21.2	22.4	31.7	11.7	16.5	12.8	18.1
SHF(L)-70-911	15.0	21.2	22.4	31.7	11.7	16.5	12.8	18.1
SHF(L)-70-911-02	15.0	21.2	22.4	31.7	11.7	16.5	12.8	18.1
SHF(L)-70-913-03	15.0	21.2	22.4	31.7	11.7	16.5	12.8	18.1
SHF(L)-100-911	21.3	30.1	31.9	45.1	16.6	23.5	18.2	25.7
SHF(L)-100-911-01	21.3	30.1	31.9	45.1	16.6	23.5	18.2	25.7
SHF(L)-100-913-01	21.3	30.1	31.9	45.1	16.6	23.5	18.2	25.7
SHF(L)-100-1012	21.3	30.1	31.9	45.1	16.6	23.5	18.2	25.7
SHF(L)-100-1012-01	21.3	30.1	31.9	45.1	16.6	23.5	18.2	25.7
SHF(L)-100-1013-02	21.3	30.1	31.9	45.1	16.6	23.5	18.2	25.7
SHF(L)-140-1214	30.7	43.4	45.9	65.0	24.0	33.9	26.2	37.1
SHF(L)-175-1217	37.0	52.4	55.5	78.4	28.9	40.9	31.7	44.8
SHF(L)-210-1321	44.3	62.7	66.4	93.9	34.6	49.0	37.9	53.6
SHF(L)-350-1721	72.7	103	109	154	56.8	80.3	62.2	88.0
SHF(L)-420-2125	93.0	131	139	197	72.6	103	79.5	112

CAPACITY SELECTION TABLE CONDITION 2

Capacity Selection Table								
Valve Model	Nominal Cooling Capacity (condition 2)							
	R-407C ²⁾		R-410A		R-134a		R-404A / R-507	
	ΔP: 1.0 psi	ΔP: 2.0 psi	ΔP: 1.5 psi	ΔP: 3.0 psi	ΔP: 1.0 psi	ΔP: 2.0 psi	ΔP: 1.0 psi	ΔP: 2.0 psi
	(tons)	(tons)	(tons)	(tons)	(tons)	(tons)	(tons)	(tons)
SHF(L)-3H-12U-51	0.72	1.02	1.06	1.50	0.57	0.81	0.58	0.82
SHF(L)-4H-23-01	0.77	1.09	1.13	1.60	0.61	0.86	0.62	0.88
SHF(L)-4H-23U-L1	0.77	1.09	1.13	1.60	0.61	0.86	0.62	0.88
SHF(L)-7H-34-L1	1.40	1.98	2.05	2.90	1.10	1.56	1.12	1.59
SHF(L)-7H-34U-L1	1.40	1.98	2.05	2.90	1.10	1.56	1.12	1.59
SHF(L)-7H-35-L1	1.40	1.98	2.05	2.90	1.10	1.56	1.12	1.59
SHF(L)-7H-35U-L1	1.40	1.98	2.05	2.90	1.10	1.56	1.12	1.59
SHF(L)-7H-45-L2	1.40	1.98	2.05	2.90	1.10	1.56	1.12	1.59
SHF(L)-9H-35U-L2	1.88	2.66	2.76	3.90	1.48	2.10	1.51	2.13
SHF(L)-9H-45-L1	1.88	2.66	2.76	3.90	1.48	2.10	1.51	2.13

SHF SERIES | 4 Way Reversing Valve

CAPACITY SELECTION TABLE CONDITION 2 *Continued*

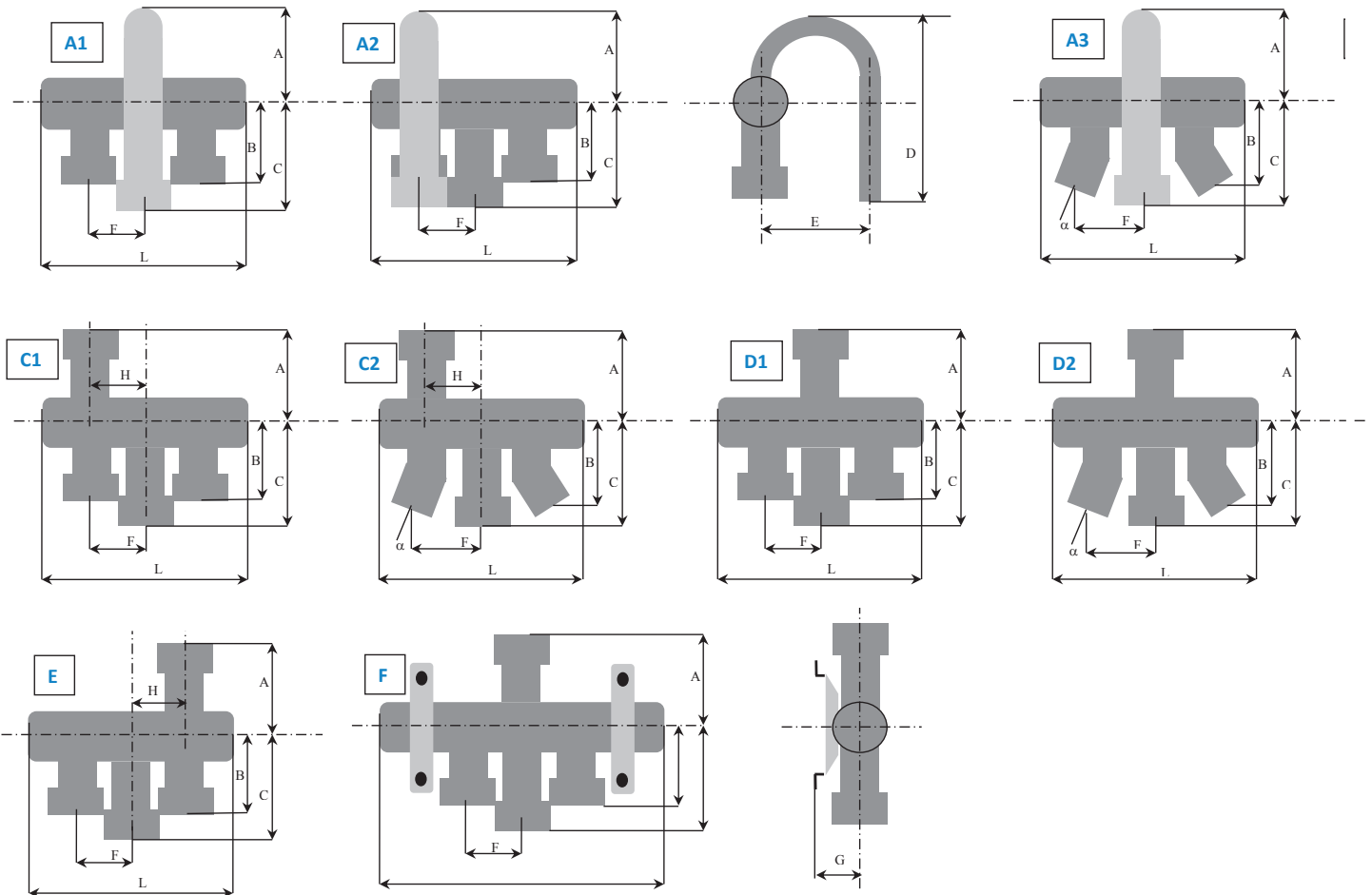
Capacity Selection Table								
Valve Model	Nominal Cooling Capacity (condition 2)							
	R-407C ²⁾		R-410A		R-134a		R-404A / R-507	
	ΔP: 1.0 psi	ΔP: 2.0 psi	ΔP: 1.5 psi	ΔP: 3.0 psi	ΔP: 1.0 psi	ΔP: 2.0 psi	ΔP: 1.0 psi	ΔP: 2.0 psi
	(tons)	(tons)	(tons)	(tons)	(tons)	(tons)	(tons)	(tons)
SHF-9H-45D1	1.88	2.66	2.76	3.90	1.48	2.10	1.51	2.13
SHF(L)-11H-45D1-L1	2.17	3.07	3.18	4.50	1.71	2.42	1.74	2.46
SHF(L)-11H-46D1-L1	2.17	3.07	3.18	4.50	1.71	2.42	1.74	2.46
SHF-14-46	3.19	4.51	4.67	6.60	2.51	3.55	2.55	3.61
SHF-14A-46	3.19	4.51	4.67	6.60	2.51	3.55	2.55	3.61
SHF-14-47	3.19	4.51	4.67	6.60	2.51	3.55	2.55	3.61
SHF-14-56D1	3.19	4.51	4.67	6.60	2.51	3.55	2.55	3.61
SHF-14-57	3.19	4.51	4.67	6.60	2.51	3.55	2.55	3.61
SHF-14-57D1	3.19	4.51	4.67	6.60	2.51	3.55	2.55	3.61
SHF-20A-45-J	4.59	6.49	6.72	9.51	3.61	5.11	3.68	5.20
SHF-20A-46	4.59	6.49	6.72	9.51	3.61	5.11	3.68	5.20
SHF-20A-47	4.78	6.76	7.00	9.91	3.76	5.32	3.83	5.42
SHF-20A-56D1	4.78	6.76	7.00	9.91	3.76	5.32	3.83	5.42
SHF-20A-57	4.78	6.76	7.00	9.91	3.76	5.32	3.83	5.42
SHF-20A-57D1	4.78	6.76	7.00	9.91	3.76	5.32	3.83	5.42
SHF-20D-46-02	4.59	6.49	6.72	9.51	3.61	5.11	3.68	5.20
SHF-20D-47-02	4.78	6.76	7.00	9.91	3.76	5.32	3.83	5.42
SHF-20D-57-02	4.78	6.76	7.00	9.91	3.76	5.32	3.83	5.42
SHF-20D-67-03	4.78	6.76	7.00	9.91	3.76	5.32	3.83	5.42
SHF-35A-47	7.10	10.0	10.4	14.7	5.59	7.90	5.69	8.05
SHF-35A-49	7.10	10.0	10.4	14.7	5.59	7.90	5.69	8.05
SHF-35A-57	7.10	10.0	10.4	14.7	5.59	7.90	5.69	8.05
SHF-35A-59	7.10	10.0	10.4	14.7	5.59	7.90	5.69	8.05
SHF-35A-79	7.10	10.0	10.4	14.7	5.59	7.90	5.69	8.05
SHF-35A-711	7.10	10.0	10.4	14.7	5.59	7.90	5.69	8.05
SHF-35A-911	7.10	10.0	10.4	14.7	5.59	7.90	5.69	8.05
SHF-35B-47-04	7.10	10.0	10.4	14.7	5.59	7.90	5.69	8.05
SHF-35B-79-04	7.10	10.0	10.4	14.7	5.59	7.90	5.69	8.05
SHF-50A-79	8.84	12.5	12.9	18.3	6.96	9.84	7.08	10.0
SHF-50-711	8.84	12.5	12.9	18.3	6.96	9.84	7.08	10.0
SHF-50-911D2	8.94	12.6	13.1	18.5	7.03	9.95	7.16	10.1
SHF(L)-70-810	13.8	19.5	20.2	28.5	10.8	15.3	11.0	15.6
SHF(L)-70-810-01	13.8	19.5	20.2	28.5	10.8	15.3	11.0	15.6
SHF(L)-70-911	13.8	19.5	20.2	28.5	10.8	15.3	11.0	15.6
SHF(L)-70-911-02	13.8	19.5	20.2	28.5	10.8	15.3	11.0	15.6
SHF(L)-70-913-03	13.8	19.5	20.2	28.5	10.8	15.3	11.0	15.6
SHF(L)-100-911	19.6	27.7	28.7	40.5	15.4	21.8	15.7	22.2

SHF SERIES | 4 Way Reversing Valve

CAPACITY SELECTION TABLE CONDITION 2 *Continued*

Capacity Selection Table								
Valve Model	Nominal Cooling Capacity (condition 2)							
	R-407C ²⁾		R-410A		R-134a		R-404A / R-507	
	$\Delta P: 1.0 \text{ psi}$	$\Delta P: 2.0 \text{ psi}$	$\Delta P: 1.5 \text{ psi}$	$\Delta P: 3.0 \text{ psi}$	$\Delta P: 1.0 \text{ psi}$	$\Delta P: 2.0 \text{ psi}$	$\Delta P: 1.0 \text{ psi}$	$\Delta P: 2.0 \text{ psi}$
	(tons)	(tons)	(tons)	(tons)	(tons)	(tons)	(tons)	(tons)
SHF(L)-100-911-01	19.6	27.7	28.7	40.5	15.4	21.8	15.7	22.2
SHF(L)-100-913-01	19.6	27.7	28.7	40.5	15.4	21.8	15.7	22.2
SHF(L)-100-1012	19.6	27.7	28.7	40.5	15.4	21.8	15.7	22.2
SHF(L)-100-1012-01	19.6	27.7	28.7	40.5	15.4	21.8	15.7	22.2
SHF(L)-100-1013-02	19.6	27.7	28.7	40.5	15.4	21.8	15.7	22.2
SHF(L)-140-1214	28.2	39.9	41.3	58.4	22.2	31.4	22.6	32.0
SHF(L)-175-1217	34.1	48.2	49.9	70.5	26.8	37.9	27.3	38.6
SHF(L)-210-1321	40.8	57.7	59.7	84.5	32.1	45.4	32.7	46.2
SHF(L)-350-1721	66.9	94.6	98.0	138	52.6	74.4	53.6	75.7
SHF(L)-420-2125	85.5	121	125	177	67.3	95.2	68.5	96.9

DIMENSIONS - VALVES



SHF SERIES | 4 Way Reversing Valve

DIMENSIONS - VALVES

Dimensions - Valves												
Valve Model	Valve Style	L	A	B	C	D	E	F	G	H	Angle	Weight
		(in)	(in)	(in)	(in)	(in)	(in)	(in)	(in)	(in)	(°)	(lb)
SHF(L)-3H-12U-51	A1	3.47	1.52	1.5	1.97	3.48	1.69	0.43	-	-	0	0.44
SHF(L)-4H-23-01	D1	3.72	1.97	1.97	2.44			0.47			0	0.44
SHF(L)-4H-23U-L1	A1	3.72	1.69	1.97	2.44	4.13	1.69	0.47	-	-	0	0.44
SHF(L)-7H-34-L1	D1	4.45	2.07	2.32	2.8	-	-	0.63			0	0.66
SHF(L)-7H-34U-L1	A1	4.45	2.01	2.32	2.8	4.69	2.05	0.63			0	0.66
SHF(L)-7H-35-L1	D2	4.45	2.07	2.24	2.83	-	-	0.93	-		15	0.66
SHF(L)-7H-35U-L1	A3	4.45	2.01	2.24	2.83	4.69	2.05	0.93			15	0.66
SHF(L)-7H-45-L2	D2	4.45	2.05	2.24	2.83	-	-	0.93	-		15	0.66
SHF(L)-9H-35U-L2	A3	4.55	2.01	2.24	2.83	4.69	2.05	0.93			15	0.66
SHF(L)-9H-45-L1	D2	4.61	2.05	2.44	2.83	-	-	0.93	-		15	0.66
SHF-9H-45D1	C2	4.78	2.05	2.44	2.83	-	-	0.93	-		15	0.66
SHF(L)-11H-45D1-L1	C2	4.61	2.05	2.44	3.43	-	-	0.98	-	0.63	15	0.71
SHF(L)-11H-46D1-L1	C2	4.61	2.05	3.23	3.43	-	-	1.28	-	0.63	20	0.77
SHF-14-46	D1	7.27	2.64	3.27	3.74			1.13			0	1.59
SHF-14A-46	D1	6.42	2.64	3.27	3.74	-	-	0.94	-	-	0	1.59
SHF-14-47	D1	7.27	2.64	3.27	3.74			1.13			0	1.59
SHF-14-56D1	C1	7.27	3.38	3.25	3.75			1.13			0	1.59
SHF-14-57	D1	7.27	2.64	3.27	3.74			1.13			0	1.59
SHF-14-57D1	C1	7.27	3.38	3.25	3.75			1.13			0	1.59
SHF-20A-45-J	D1	6.93	2.64	3.27	3.74			1.13			0	1.65
SHF-20A-46	D1	6.93	2.64	3.27	3.74			1.13			0	1.65
SHF-20A-47	D1	6.93	2.64	3.27	3.74			1.13			0	1.65
SHF-20A-56D1	C1	7.27	3.38	3.25	3.75			1.13			0	1.65
SHF-20A-57	D1	6.93	2.64	3.27	3.74			1.13			0	1.65
SHF-20A-57D1	C1	7.27	3.38	3.25	3.75			1.13			0	1.65
SHF-20D-46-02	D1	7.23	2.64	3.27	3.74	-	-	1.13	-	-	0	1.65
SHF-20D-47-02	D1	7.23	2.64	3.27	3.74	-	-	1.13	-	-	0	1.65
SHF-20D-57-02	D1	7.23	2.64	3.27	3.74	-	-	1.13	-	-	0	1.65
SHF-20D-67-03	D1	7.23	2.64	3.27	3.74	-	-	1.13	-	-	0	1.65
SHF-35A-47	D1	8.31	3.23	3.43	3.94	-	-	1.3	-	-	0	2.87
SHF-35A-49	D1	8.31	3.23	3.43	3.94	-	-	1.3	-	-	0	2.87
SHF-35A-57	D1	8.31	3.23	3.43	3.94	-	-	1.3	-	-	0	2.87
SHF-35A-59	D1	8.31	3.23	3.43	3.94	-	-	1.3	-	-	0	2.87
SHF-35A-79	D1	8.31	3.23	3.43	3.94	-	-	1.3	-	-	0	2.87
SHF-35A-711	D1	8.31	3.22	4.55	5.88	-	-	1.59	-	-	0	2.87
SHF-35A-911	D1	8.31	4.00	4.55	5.88	-	-	1.59	-	-	0	2.87
SHF-35B-47-04	D1	8.35	3.23	3.43	3.94	-	-	1.3	-	-	0	2.87
SHF-35B-79-04	D1	8.35	3.23	3.43	3.94	-	-	1.3	-	-	0	2.87
SHF-50A-79	D1	8.54	3.58	3.78	5.04	-	-	1.3	-	-	0	4.63

SHF SERIES | 4 Way Reversing Valve

DIMENSIONS - VALVES Continued

Dimensions - Valves												
Valve Model	Valve Style	L	A	B	C	D	E	F	G	H	Angle	Weight
		(in)	(in)	(in)	(in)	(in)	(in)	(in)	(in)	(in)	(in)	(°)
SHF-50-711	D1	10.6	3.58	5.87	6.85			1.63			0	4.63
SHF-50-911D2	E	10.6	3.82	5.87	6.85	-	-	1.63	-	1.63	0	4.63
SHF(L)-70-810	D1	11.9	4.37	4.61	5.16	-	-	1.81	-	-	0	6.61
SHF(L)-70-810-01	F	11.9	4.37	4.61	6.06	-	-	1.81	2.28	-	0	6.61
SHF(L)-70-911	D1	11.9	4.37	4.61	6.06	-	-	1.81	-	-	0	6.61
SHF(L)-70-911-02	F	11.9	4.37	4.61	5.16	-	-	1.93	2.28	-	0	7.72
SHF(L)-70-913-03	F	12.6	4.37	4.61	5.16	-	-	1.93	2.28	-	0	7.72
SHF(L)-100-911	D1	12.6	4.37	4.61	5.16	-	-	1.93	-	-	0	7.72
SHF(L)-100-911-01	F	11.9	4.37	4.61	5.16	-	-	1.81	2.28	-	0	6.61
SHF(L)-100-913-01	F	11.9	4.37	4.61	6.06	-	-	1.81	2.28	-	0	6.61
SHF(L)-100-1012	D1	12.6	4.37	4.61	5.16	-	-	1.93	-	-	0	7.72
SHF(L)-100-1012-01	F	12.6	4.37	4.61	5.16	-	-	1.93	2.28	-	0	7.72
SHF(L)-100-1013-02	F	12.6	4.37	4.61	5.16	-	-	1.93	2.28	-	0	7.72
SHF(L)-140-1214	F	15.4	5.34	5.85	6.64	-	-	2.28	2.48	-	0	15.9
SHF(L)-175-1217	F	15.4	5.34	5.85	7.8	-	-	2.28	2.48	-	0	16.8
SHF(L)-210-1321	F	17.8	5.34	5.85	7.8	-	-	2.81	2.48	-	0	19.2
SHF(L)-350-1721	F	20.9	6.95	7.24	9.45	-	-	2.95	3.25	-	0	48.5
SHF(L)-420-2125	F	24.1	6.95	7.24	9.45	-	-	3.66	3.25	-	0	57.3

DIMENSIONS - COILS

Coil Characteristics												
Coil Model ¹⁾	Winding Code	Electrical Function / Connection Type	Cable Length	Power Supply	Rated Voltage	Power Consumption			Protection Class	Insulation Class	Max. Op. Temp.	
						AC	AC	DC				
						50Hz	60Hz					
						(in)	(-)	(V)				(W)
SQ-A25 22G-00 0001	SHF-4-10L3	Lead Wires	20	AC	220-240	4.5	3.5	-	IP54	B ²⁾	266	
SQ-A25 200-00 0001	SHF-4-10L2	Lead Wires	20	AC	200	4.5	3.5	-				
SQ-A25 100-00 0001	SHF-4-10L1	Lead Wires	20	AC	100	4.5	3.5	-				
SQ-A25 11A-00 0001	SHF-4-10L4	Lead Wires	20	AC	110-120	4.5	3.5	-				
SQ-A25 024-00 0001	SHF-4-10L5	Lead Wires	20	AC	24	4.5	3.5	-				
SQ-A25 26H-00 0001	SHF-4-10L6	Lead Wires	20	AC	265-277	4.5	3.5	-				
SQ-A25 22G-00 0870	SHF-4-10L3	Lead Wires	60	AC	220-240	4.5	3.5	-				
SQ-A25 11A-00 0840	SHF-4-10L4	Lead Wires	60	AC	110-120	4.5	3.5	-				
SQ-A25 024-00 0161	SHF-4-10L5	Lead Wires	60	AC	24	4.5	3.5	-				

- Note:
- Every coil is applicable to all above specified valve models
 - Max ambient temperature up to + 122°F
 - Max ambient temperature up to + 158°F
 - Wire Harness for coil with Faston connector:
SQ-000000-090028 (Part Number: SHF-56026)
 - Bi-stable coils (SQ-A27 series) cannot be selected with the following valves:
 - SHF(G)-7C-34U (P/N: SHF-19009)
 - SHF(G)-7C-34 (P/N: SHF-19010)
 - SHF(G)-11C-34U (P/N: SHF-19012)

SHF SERIES | 4 Way Reversing Valve

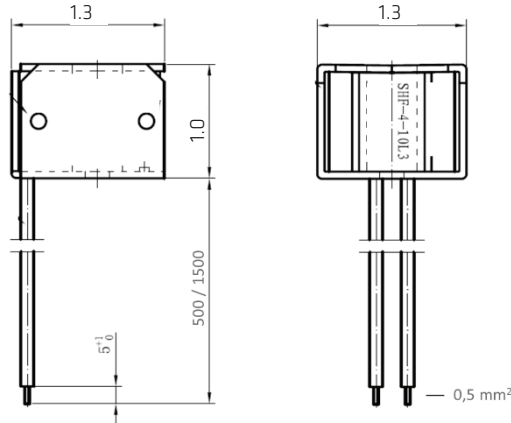
DIMENSIONS - COILS *Continued*

Coil Characteristics											
Coil Model ¹⁾	Winding Code	Electrical Function / Connection Type	Cable Length (in)	Power Supply (-)	Rated Voltage (V)	Power Consumption			Protection Class (-)	Insulation Class (-)	Max. Op. Temp. (°F)
						AC 50Hz	AC 60Hz	DC			
						(W)	(W)	(W)			
SQ-A44 22G-00 0771	SHF-4-10FA5	Spade ⁴⁾	-	AC	220-240	6	5	-	IP00	F ³⁾	311
SQ-A44 220-00 0001	SHF-4-10FA1	Spade ⁴⁾	-	AC	220	6	5	-			
SQ-A44 11B-00 0001	SHF-4-10FA2	Spade ⁴⁾	-	AC	120	6	5	-			
SQ-A44 10A-00 0001	SHF-4-10FA3	Spade ⁴⁾	-	AC	100-110	6	5	-			
SQ-A44 024-00 0771	SHF-4-10FA4	Spade ⁴⁾	-	AC	24	6	5	-			
SQ-A44 26H-00 0831	SHF-4-10FA6	Spade ⁴⁾	-	AC	265-277	6	5	-			
SQ-D44 012-00 0001	SHF-4-10FA8	Spade ⁴⁾	-	DC	12	-	-	10			
SQ-D44 024-00 0001	SHF-4-10FA9	Spade ⁴⁾	-	DC	24	-	-	11			

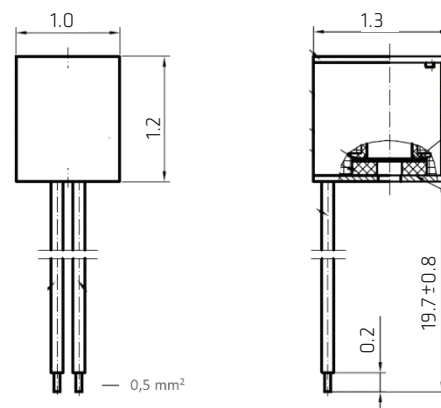
Important: See notes on page 9.

DIMENSIONS - Coils

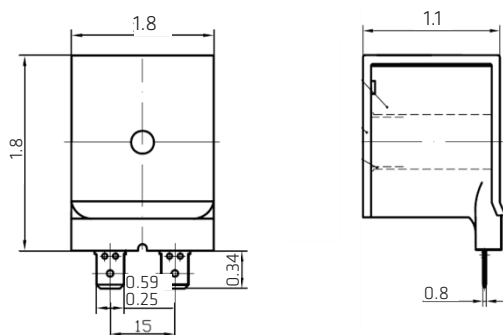
Coils with Lead Wires (SQ-A25 Series)



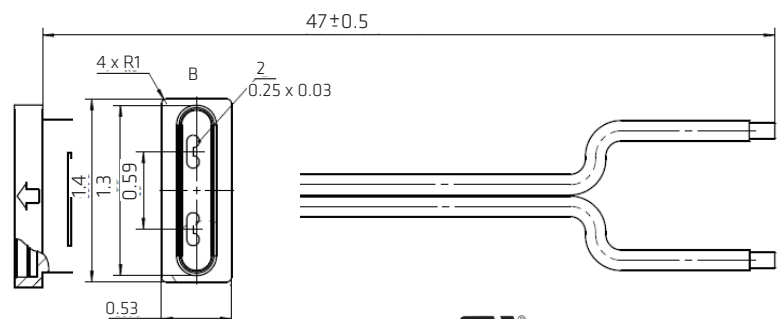
Bistable Coils (SQ-A/D27 Series)



Coils with Spade Connections (SQ-A/D44 Series)



Wire Harness (SQ-00000-090028)



RU US File No. MH25894